

EC24/B**FEATURES**

Make all your favorite coffee drinks like a professional; brewed coffee, espresso, cappuccino, and more

Use whole-bean or pre-ground coffee

Brew servings from one ounce to 12 ounces

Eliminates the need for plumbing with a built-in water tank

Grind with a 13-setting built-in grinder

ACCESSORIES

Care Kit

Descaling Solution

30" Trim Kits - M Series

30" Trim Kits - E Series

Accessories available through an authorized dealer.

For local dealer information, visit subzero-wolf.com/locator.

**30" TRIM OPTIONS**

E SERIES TRANSITIONAL



E SERIES PROFESSIONAL



M SERIES TRANSITIONAL



M SERIES PROFESSIONAL

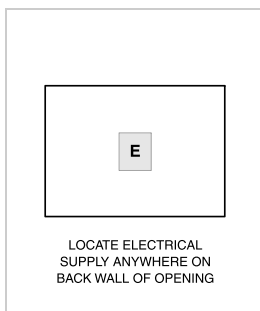


M AND E SERIES CONTEMPORARY

PRODUCT SPECIFICATIONS

Model	EC24/B
Dimensions	23 1/2"W x 17 7/8"H x 15 1/2"D
Electrical Supply	120 VAC, 60 Hz
Electrical Service	15 amp dedicated circuit
Power Cord Length	6 Feet
Receptacle	3-prong grounding-type

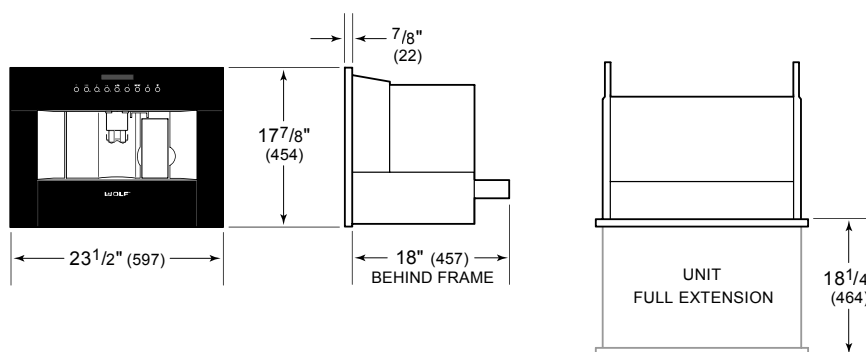
ELECTRICAL



INSTALLATIONS WITH ACCESSORY TRIM Accessory trim may affect overall product dimensions and opening dimensions. Refer to [Reveal](http://subzero-wolf.com/reveal) for more information: subzero-wolf.com/reveal

NOTE: Dimensions in parenthesis are in millimeters unless otherwise specified

DIMENSIONS



STANDARD INSTALLATION

