

MDD30TM/S/TH

**FEATURES**

Integrates into any kitchen

Matches M series ovens, coffee systems, convection steam oven

900 watts of power

Generous 1.6. cu. ft. capacity

Quick-start controls for popular items

Gourmet mode cooks automatically from preset recipes

"Keep Warm" mode

Rigorously tested in our U.S. manufacturing facilities for decades of use

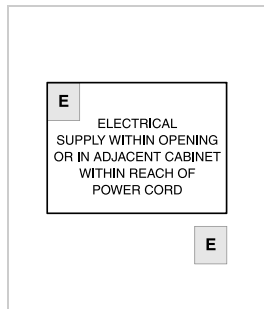
Exceptional 24/7 support from our Customer Care team in Madison



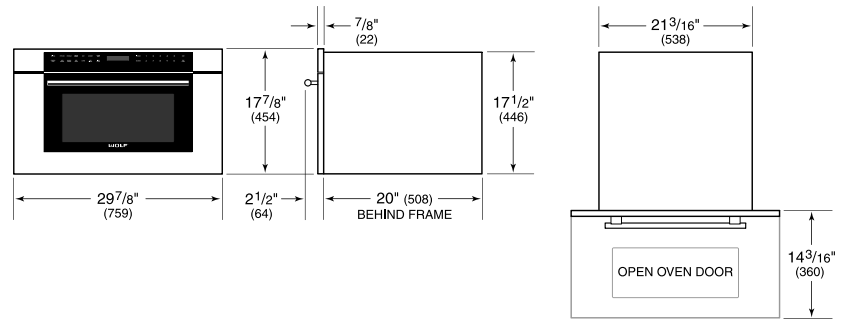
**PRODUCT SPECIFICATIONS**

Model	MDD30TM/S/TH
Dimensions	29 7/8"W x 17 7/8"H x 20"D
Door Clearance	14 3/16"
Weight	80 lbs
Electrical Supply	120 VAC, 60 Hz
Electrical Service	15 amp dedicated circuit
Overall Capacity	1.6 cu. ft.
Power Cord Length	4 Feet
Receptacle	3-prong grounding-type

**ELECTRICAL**



**DIMENSIONS**



**STANDARD INSTALLATION**

